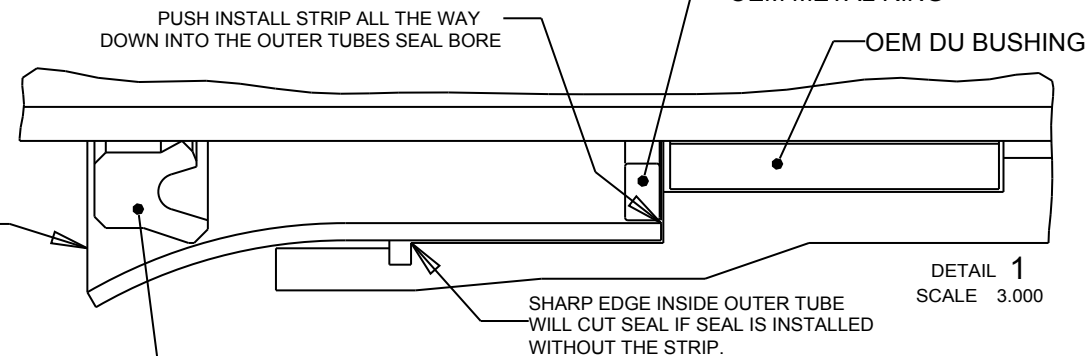


SEE DETAIL 1

INSTALL STRIP
PROVIDED
(SIZE: 1.00" WIDE X .030" THICK)



DETAIL 1
SCALE 3.000

THINGS TO KNOW:

- ⊕ THESE ARE SECTIONAL VIEWS AND EASY TO LOOK AT. IF YOU ARE NOT FAMILIAR WITH THIS STYLE VIEW, IMAGINE YOUR FORKS CUT IN HALF...NOT PLEASANT IS IT!
- ⊕ ALWAYS CLEAN YOUR FORKS WELL SO DIRT DOES NOT GET INSIDE.
- ⊕ CHECK YOUR FORK TUBES FOR KNICKS AND SCRAPS, THEN DE-BURR THEM UNTIL SMOOTH USING 400 GRIT SAND PAPER. THEN POLISH THEM WITH 1000 GRIT, THEN WITH EMERY CLOTH.
- ⊕ SOME RIDERS LIKE TO X-HATCH THE FORK TUBES TO ALLOW THE FORKS TO LUBRICATE.....THIS IS A GOOD THING!
- ⊕ DAMAGING THE SEALS OUTER LIPS IS EASY TO DO IF YOU DO NOT USE THE INSTALLATION STRIP CORRECTLY. READ THE INSTRUCTIONS STEP BY STEP.
- ⊕ CLEANING SYNERGY SEALS IS EASY TO DO.
 - A. PULL DOWN THE OEM WIPER SEAL.
 - B. REMOVE THE SNAP RING.
 - C. PULL OUT THE PRE-WIPER AND BACK UP RING.
 - D. USE A FILM NEGATIVE AND USE SILICON SPRAY TO CLEAN UP IN AND AROUND THE SEAL LIP. YOU ACTUALLY SHOULD NEVER NEED TO DO THIS PROCEEDURE WHEN USING OUR SEALS AND PRE-WIPERS...THEY ARE THAT GOOD!
- ⊕ RIDE YOUR OWN RIDE, RIDE SAFE, RIDE WITH QUIET PIPES, AND WRITE YOUR CONGRESSMAN AND CONGRESSWOMAN ABOUT YOUR RIGHTS TO RIDE...YOU ARE OBLIGATED!

1. DO NOT USE GREASE OR OIL ON THE SEAL TO INSTALL SEAL, THE SEAL LIP WILL POSSIBLY ROLL.
2. POSITION THE INSTALL STRIP AND SEAL AS SHOWN, (CAN BE A LITTLE AWKWARD).
3. PUSH THE SEAL INSIDE THE INSTALL STRIP UNTIL FULLY SEATED AGAINST THE OEM METAL RING.
4. PULL THE STRIP OUT WHILE HOLDING THE SEAL DOWN IN PLACE MOVING AROUND THE CIRCUMFERANCE OF THE SEAL 45° DEGREES AT A TIME. IF THE SEAL FOLLOWS THE STRIP OUT AND MOVES PAST THE SNAP RING GROOVE, DO NOT PUSH THE SEAL BACK IN, YOU WILL DAMAGE THE SEALS OUTER LIP FROM THE SNAP RING GROOVES SHARP EDGE. INSTEAD, SLIDE HAMMER THE FORK APART AND START OVER.
5. ONCE THE SEAL IS IN PLACE, POSITION THE BACK UP RING INTO PLACE, SNAP THE SNAP RING INTO THE GROOVE.
6. IMPORTANT: MAKE SURE THE SNAP RING IS FULLY SNAPPED IN PLACE.
7. ADD OEM WIPER TO OUTER TUBE.